

# Ultrasonic Flowmeter

## innoMag 400

### parameters

Instantaneous flow , Cumulative flow

### Applications



Process Water



Boiler water



Drinking Water



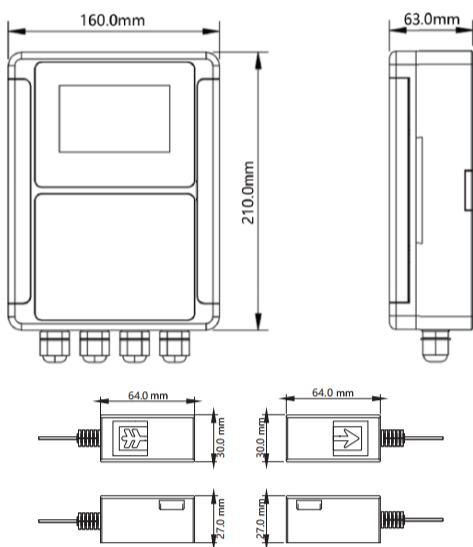
Circulating water



Cooling Water

### Features

- High accuracy and improved tolerance of air bubbles in the measuring diameter.
- Large four-line LED display for clearer and more comprehensive display.
- Longer service life of the membrane keypad and more comfortable feel of the keypad.
- Sensor IP68 protection grade
- Unique flip cover design, installation of hidden screws for better appearance.



### Overall configuration



innoMag 400 is an ultrasonic flowmeter based on the principle of time difference time measurement, consisting of a controller and an external clamp-on sensor. Just paste the external sensor on the surface of the pipe to complete a variety of liquid flow measurement, compared with the traditional flowmeter, it does not need to break the flow of the short pipe, easy and fast installation, truly non-destructive installation.

### Technical parameter

<b>Model:</b>	innoMag 400
<b>Flow range:</b>	0.03-12m/s, forward and reverse measurement
<b>Accuracy:</b>	±1% of measured value
<b>Repeatability:</b>	0.2%
<b>Pipe diameter range:</b>	DN25-DN1200mm
<b>Temperature range:</b>	Controller: -20-60 °C Sensor: -40°C~80°C (room temperature) Sensor: -40°C~130°C (high temperature) Sensor: -40 °C ~ 180 °C (special high temperature)
<b>Fluid type:</b>	tap water, sewage, seawater, acid and alkali liquids, beer, oil and other conduction Ultrasonic single uniform liquid
<b>Pipe material:</b>	Pipe material: stainless steel, PVC, glass fiber reinforced plastic, carbon steel and all other dense pipeline. Allowed to have a liner
<b>Power supply:</b>	90-260VAC, 50/60Hz, optional 24VDC
<b>Display:</b>	LCD display
<b>Output:</b>	1 channel 4-20mA output 1 pulse output, pulse width 6-1000mS 1 relay output
<b>Communication:</b>	RS485 Modbus
<b>Data storage:</b>	SD card timed to store the set parameters and measurement results (optional)
<b>Protection level:</b>	controller: IP65 Sensor: IP68
<b>Installation:</b>	Controller: wall mounted Sensor: external clamp type (V method, Z method)

### Order Guide

Order No.	Description
34-0400-00	innoMag 400 Flowmeter