

Conductivity Controller for Conductivity, Resistivity and TDS

innoCon 6800C controller is specially designed for water treatment and industrial process control. Used with innoSens 320/330 sensor, it can measure the conductivity, resistivity, TDS and temperature of the sample water. It features automatic temperature compensation and has various mounting methods. 4-20mA/RS485 and multiple control function outputs are a standard feature.



Applications



Process Water



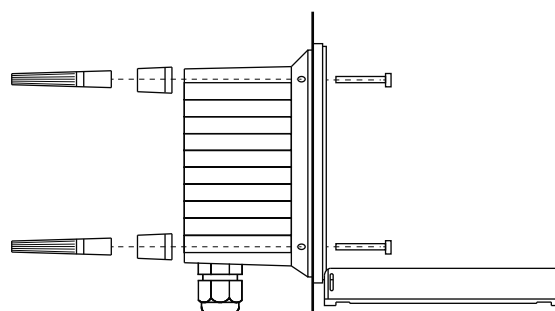
Drinking Water



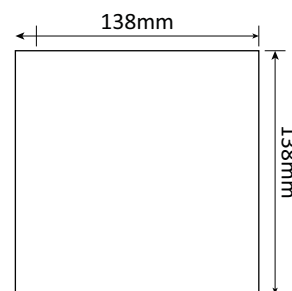
Cooling Water



Waste Water Treatment



Holder for panel mounting



Cut size

Technical Data

Measuring parameter

Conductivity	0.00 - 20.00 /200.0/2000 µS/cm
	0.00 - 20.00 /200.0/2000 mS/cm
Resistivity	0.00 - 20.00 MΩ*cm
TDS	0.00 ppm-200.0 ppt

Input

Measuring sensor	innoSens 320/330 Conductivity Sensor
Temperature probe	Pt1000 / NTC 30K (optional)

Output

Analog Output 1	4-20 mA isolated current output for conductivity/resistivity/TDS, it can be made to represent any segment of the measuring scale Load: Max 600Ω
Analog Output 2	4-20 mA isolated current output for TEMP., it can be made to represent any segment of the measuring scale Load: Max 600Ω
Relay 1&2 (Alarm)	Operation: ON/OFF Selectable action : High / Low Set Point: High/10.00mg/L; Low/4.00mg/L (adjustable) Hysteresis: 0.10mg/L (adjustable) Relay contacts: 5A/250VAC; 5A/30VDC
Relay 3 (Washing Relay)	Wash interval: 0.1~1000hour Wash time: 1~1000s Relay contacts: 5A/250VAC; 5A/30VDC

innoCon 6800C

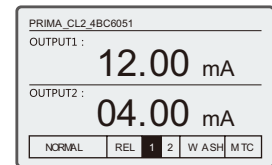
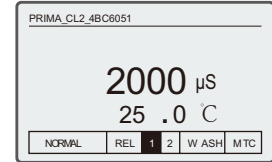
Conductivity/Resistivity/TDS Measurement



Interface RS 485 Modbus RTU
 Baud rate: 9600 bps
 Data format: 8 bit

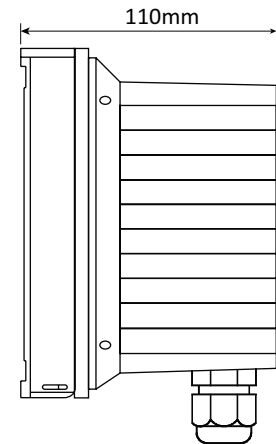
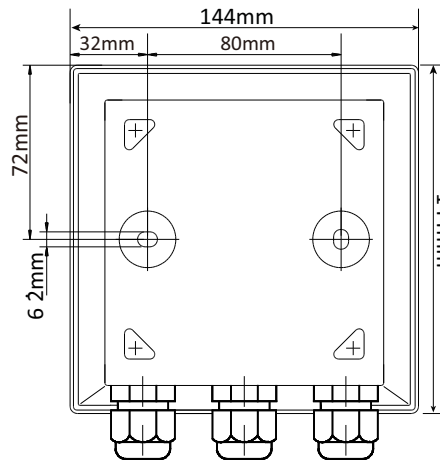
General Information

Power supply 90 - 260V AC, 50/60Hz; 24VDC(Optional)
 Temperature Operating temperature: 0 - 60 °C
 Storage temperature: -20 - 70 °C
 Humidity Max. 90% rH at 40 °C (non-condensing)
 LCD Screen Big-size screen of crystal display, white back light
 Language Chinese / English
 Passcode Set mode: **0022**, Calibration mode: **0011**
 Protection class IP65
 Dimensions 144 * 144 * 110mm
 Installation Wall/Pipe/Panel Mounting
 Panel Cut Size 138 * 138mm
 Weight 0.85Kg



Mechanical Drawing

Wall / panel mounted



Order Guide

Conductivity / Resistivity / TDS Controller

Order No.	Model	Descriptions
33-6801-20	innoCon 6800C	Conductivity Controller, 90 - 260V AC
33-6801-24	innoCon 6800C	Conductivity Controller, 24V DC
35-0320-01	innoSens 320	Conductivity Sensor, K=0.01, 0~20.00 µ S/cm, 5m cable
35-0320-02	innoSens 320	Conductivity Sensor, K=0.1, 0~200.0 µ S/cm, 5m cable
35-0320-03	innoSens 320	Conductivity Sensor, K=1, 0~2000 µ S/cm, 5m cable
35-0330-00	innoSens 330	Conductivity Sensor, 10 µ S/cm~200.0 m S/cm, 5 m cable

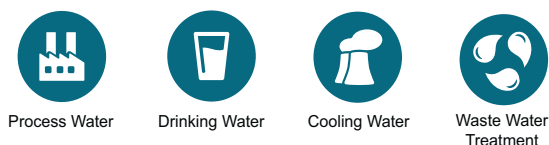
Conductivity Sensor for Conductivity, Resistivity, TDS and Salinity

innoSens 320/330 Conductivity Sensor is designed for water treatment and industrial applications. With built-in temperature compensation function, different electrode constants K and electrode materials (stainless steel / graphite / platinum) are available to meet different requirements in most of the environment.



innoSens 330 **innoSens 320**

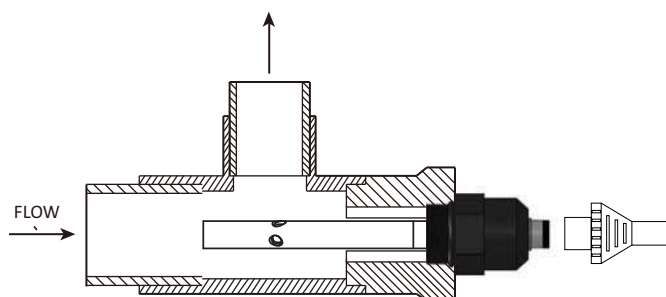
Applications



Features

- Optional bipolar and quadrupole electrodes
- a variety of probe materials, can be used in many harsh environments
- Sensor installation: thread installation, chuck installation, flange installation
- Built-in ultra-pure water / pure water conductivity compensation curve
- Pt1000 automatic temperature compensation
- Split cable is easier to install

Installation Method



Technical Data

Model	innoSens 320	innoSens 330
Measuring range	0.00 - 20.00 /200.0/2000 μ S/cm 0.00 - 20.00 /200.0/2000 mS/cm	10.0 μ S/cm- 200.0 mS/cm
Resolution	0.01 / 0.1/1 μ S/cm, 0.1/1 mS/cm	0.01 / 0.1/ 1 ppm, 0.1 ppt
Accuracy	$\pm 1\%$ f.s.	$\pm 1\%$ f.s.
Ambient Temperature	0- 100 $^{\circ}$ C	0-90 $^{\circ}$ C
Max. pressure	6 bar	6 bar
Temperature Probe	PT1000	PT1000
Material	316L/glass	Graphite
Thread Diameter	3/4" NPT	3/4" NPT
Cable	5m/Optional	5 m